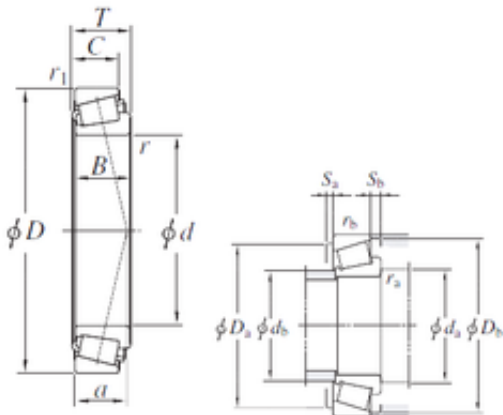




# Fujian Zhenyuan Hydraulic Equipment C...



## Timken/Koyo/SKF 67983/67920 Taper Roller Bearing

Bearing No. 67983/67920

67983/67920 Bearing 2D drawings and 3D CAD models

Size	203.2x282.575x46.038 mm
Bore Diameter	203,2 mm
Outer Diameter	282,575 mm
Width	46,038 mm
d	203,2 mm
D	282,575 mm
T	46,038 mm
B	46,038 mm
C	36,513 mm
a	61,6 mm
r min.	3,6 mm
r1 min.	3,2 mm
da min.	217 mm
Da min	259 mm
Da max.	270 mm
db max.	222 mm
ra max.	3,6 mm
rb max.	3,2 mm
Db	271 mm
Weight	8,43 Kg
Basic dynamic load rating (C)	349 kN
Basic static load rating (C0)	707 kN
Calculation factor (e)	0,51
Calculation factor (Y0)	0,65