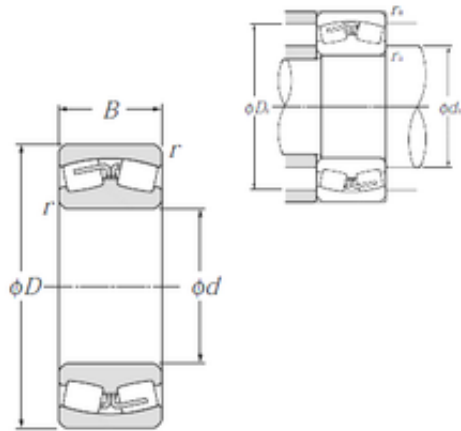




232/630B NTN Spherical Roller Bearings



Bearing No. 232/630B

Size	630x1150x412 mm
Bore Diameter	630 mm
Outer Diameter	1150 mm
Width	412 mm
d	630 mm
D	1 150 mm
B	412 mm
C	412 mm
r min.	12 mm
da min.	684 mm
Da max.	1 096 mm
ra max.	10 mm
Weight	1 900 Kg
Basic dynamic load rating (C)	13 700 kN
Basic static load rating (C0)	26 800 kN
(Grease) Lubrication Speed	230 r/min
(Oil) Lubrication Speed	300 r/min
Calculation factor (e)	0,36
Calculation factor (Y0)	1,83
Calculation factor (Y1)	1,87

232/630B Bearing 2D drawings and 3D CAD models